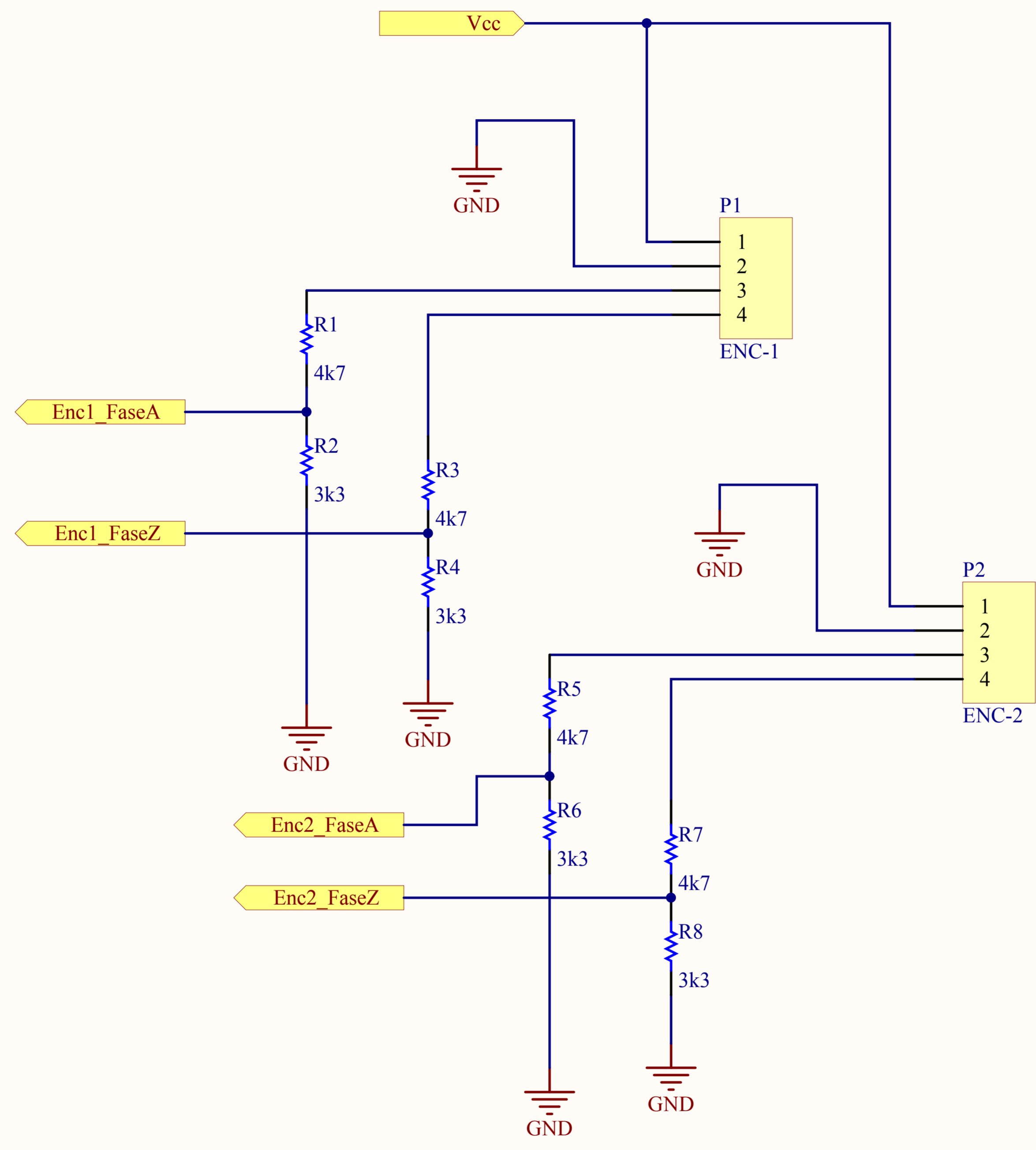
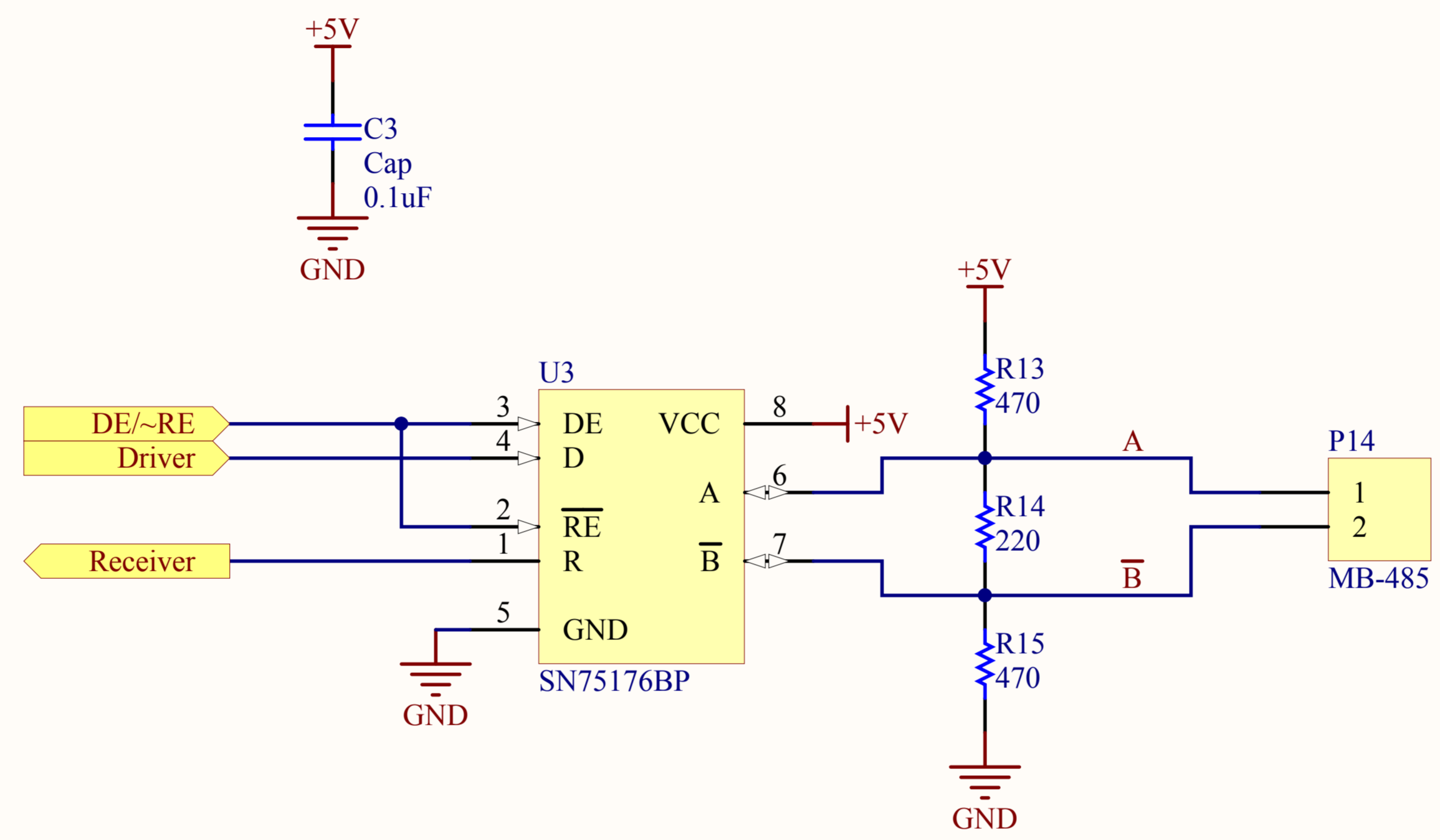


Title		Placa control ARM V2	
Size	Number	Revision	
A4		Octubre 2008	
Date:	02/12/2008	Sheet of	
File:	D:\NICO\..\placa_control_esquema.SchDoc Drawn By:		

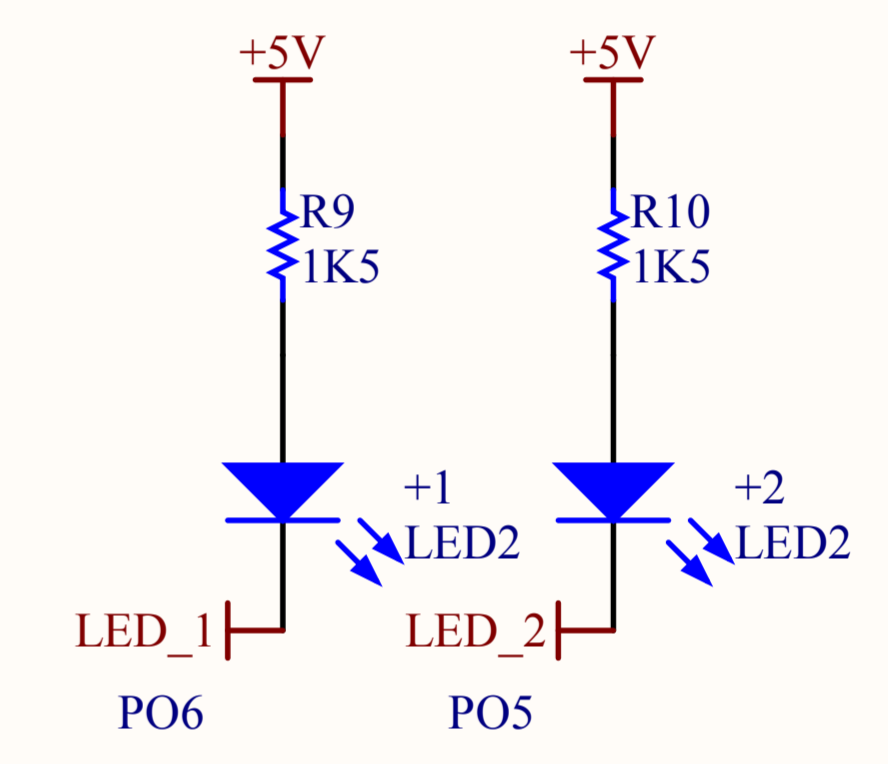
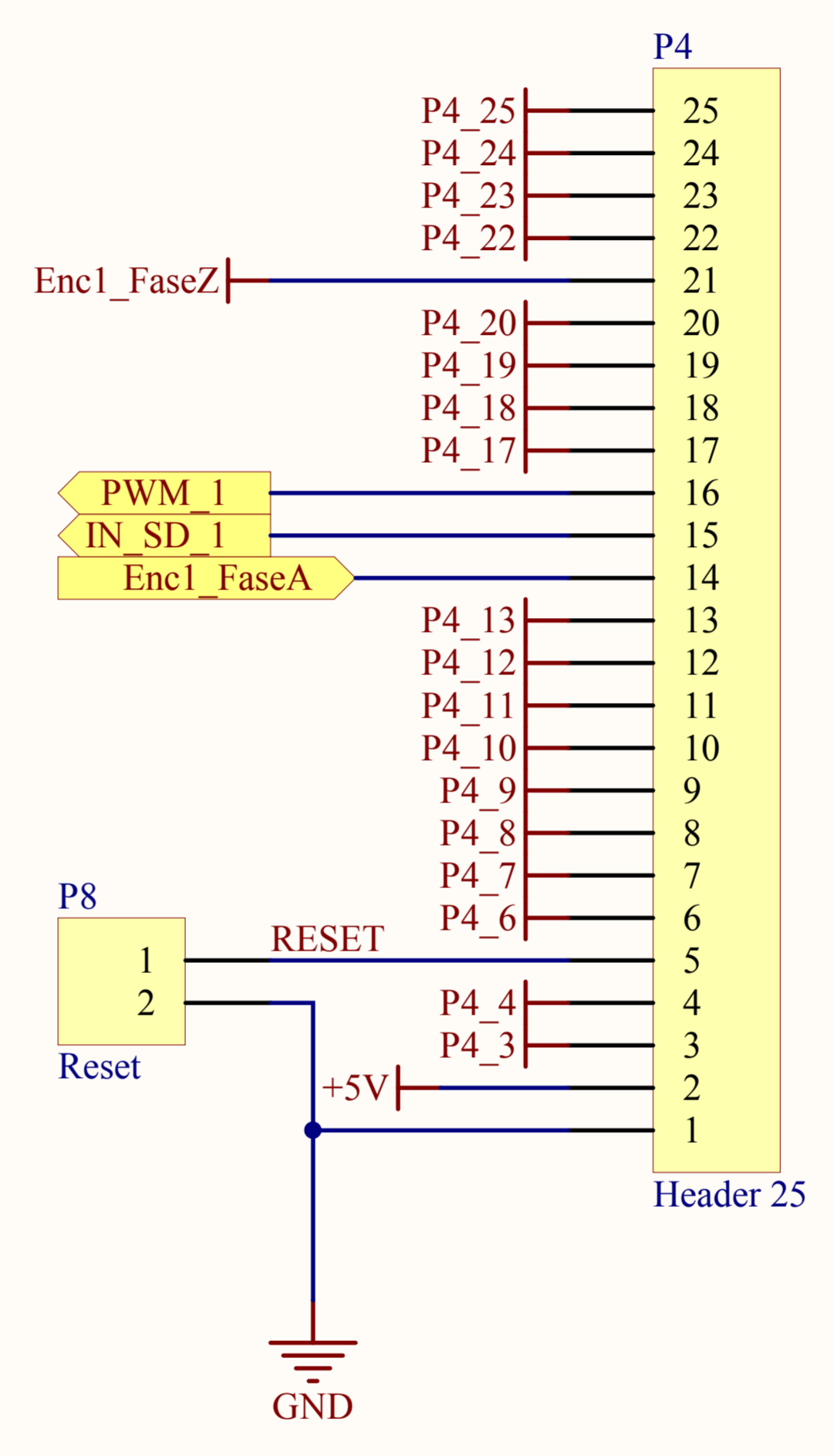
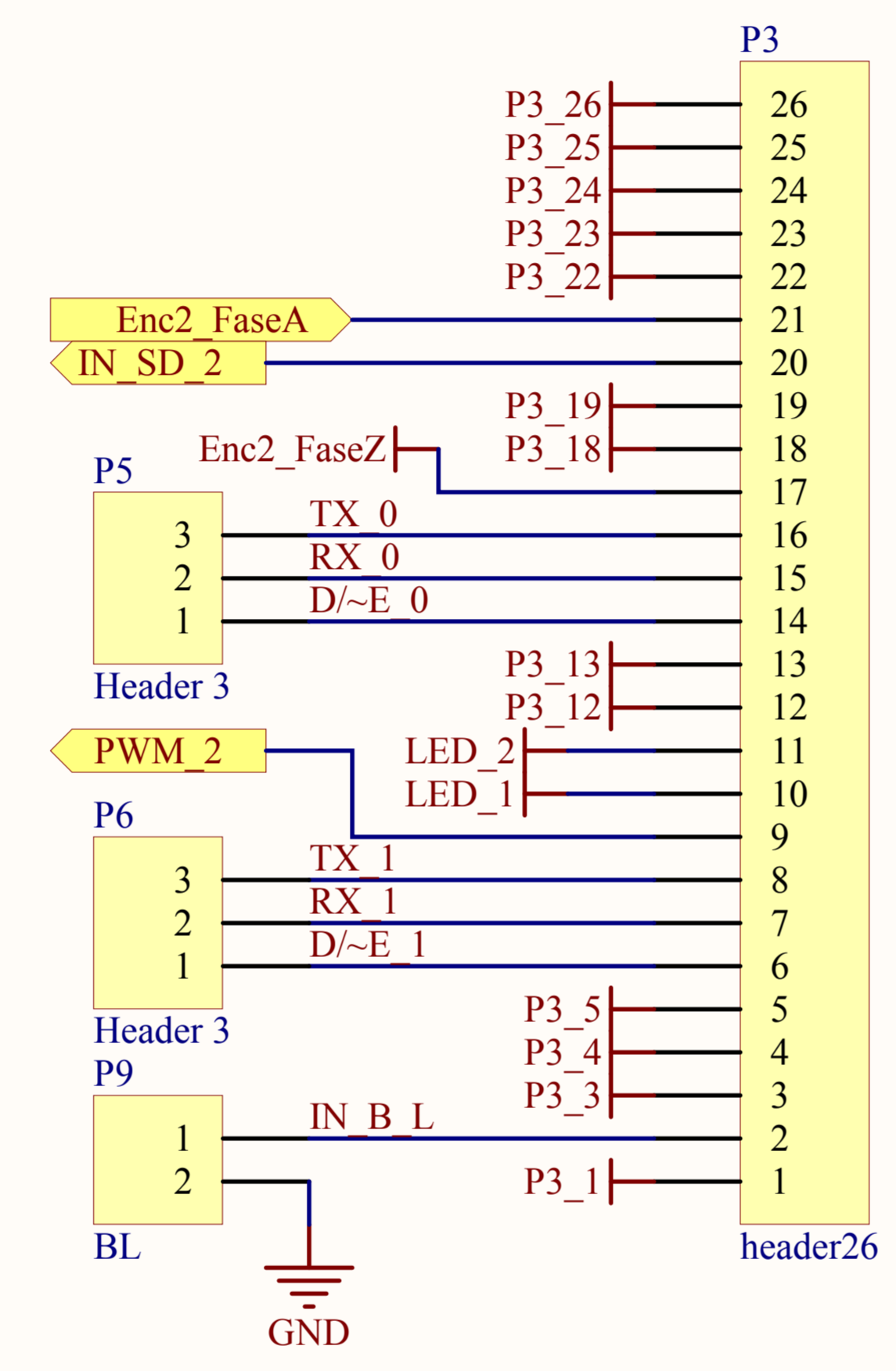
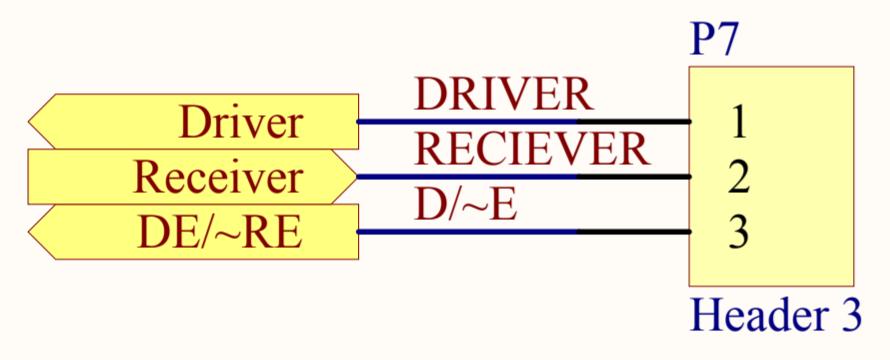
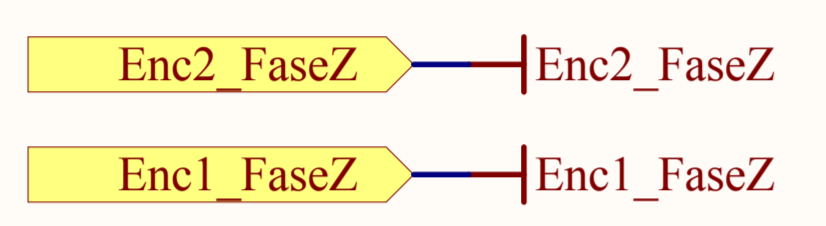


Title		
Size	Number	Revision
A4		
Date:	02/12/2008	Sheet of
File:	D:\NICO\..\conversor_enc_ttl.SchDoc	Drawn By:



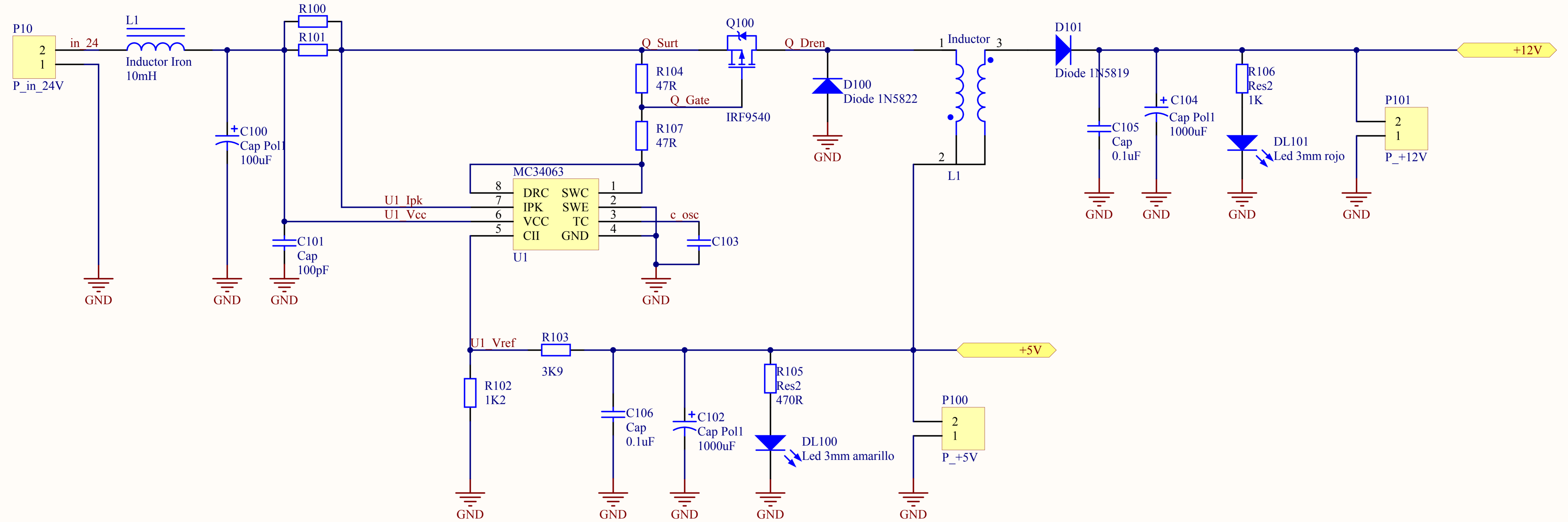
verificar

Title		
Size	Number	Revision
A4		
Date:	02/12/2008	Sheet of
File:	D:\NICO\...\esquema_485.SchDoc	Drawn By:



Title		
Size	Number	Revision
A4		
Date:	02/12/2008	Sheet of
File:	D:\NICO\..\esquema_arm.SchDoc	Drawn By:

100



Title		
Fuente conmutada		
Size	Number	Revision
A4		Octubre 2008
Date:	02/12/2008	Sheet of
File:	D:\NICO\...\esquema_regulador.SchDoc	Drawn By: