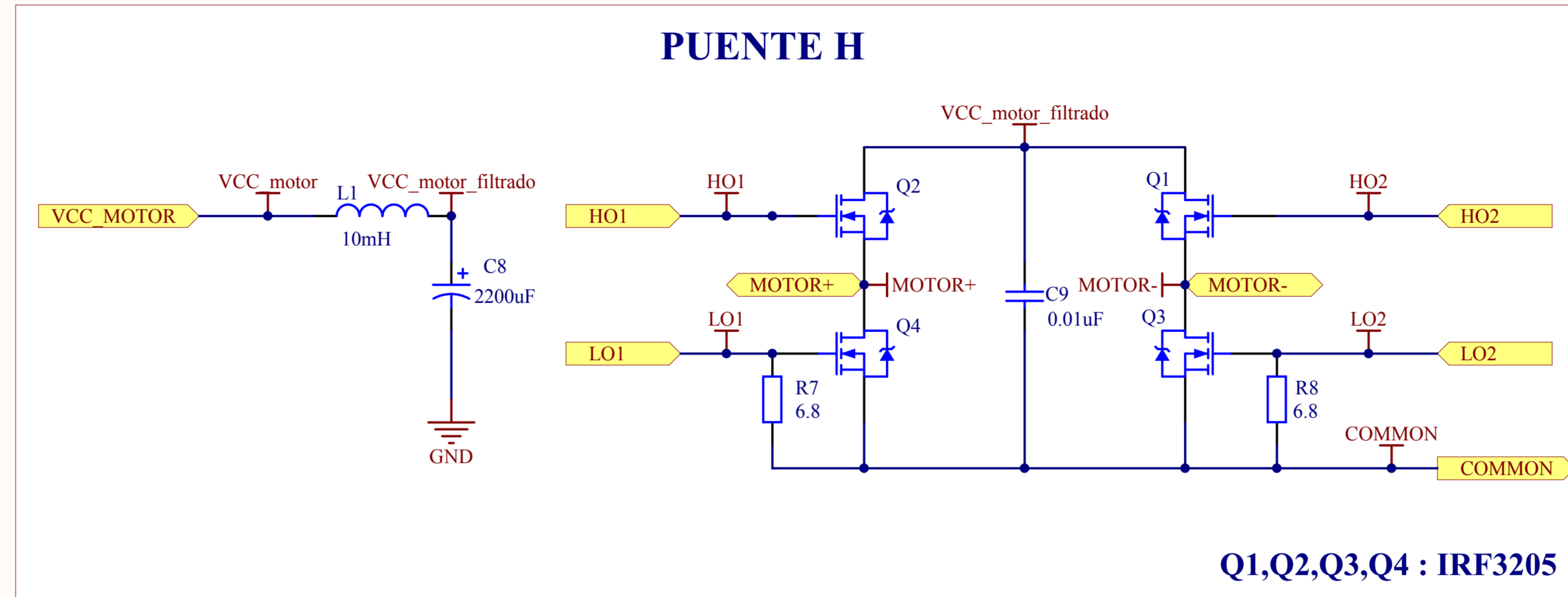
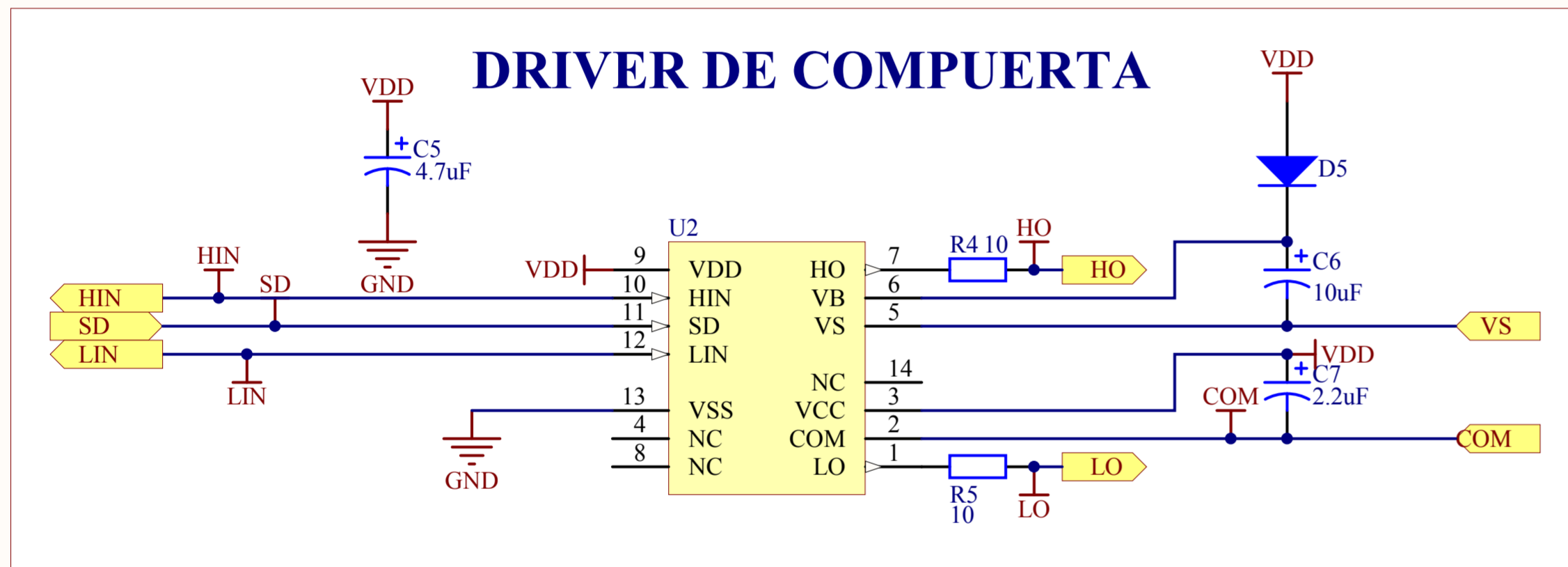


PLACA SINGLE MOTOR DRIVER

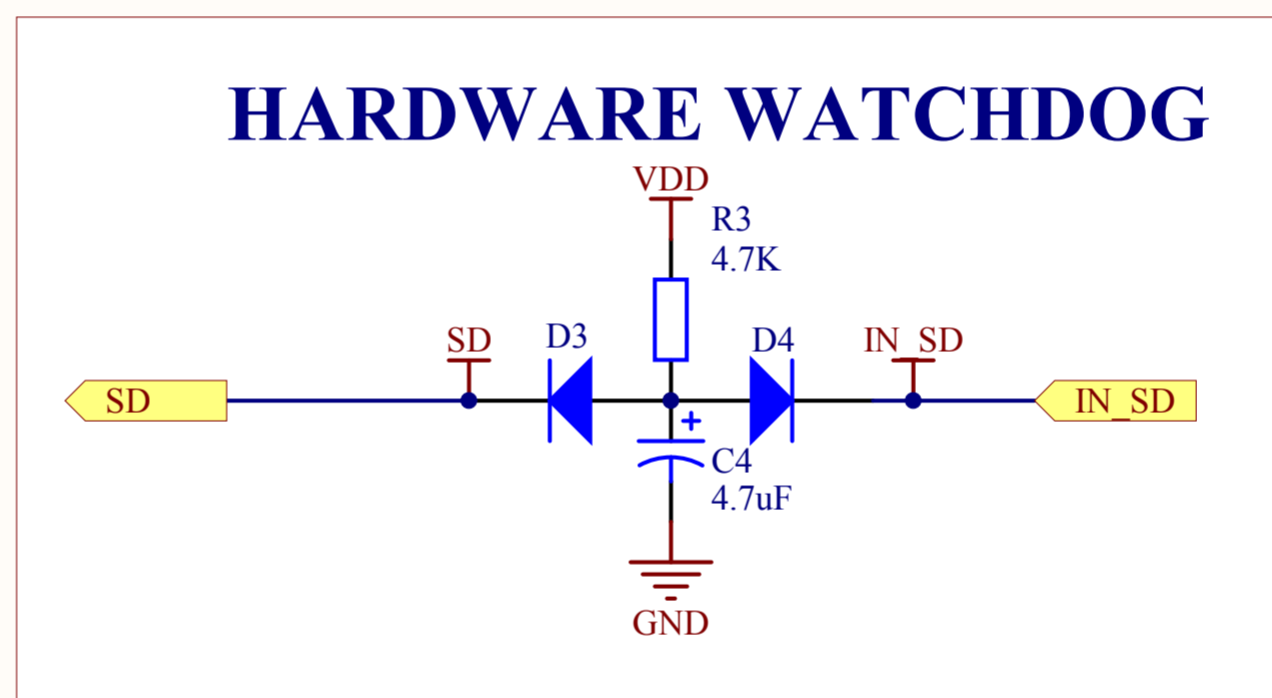
PUENTE H



DRIVER DE COMPUERTA

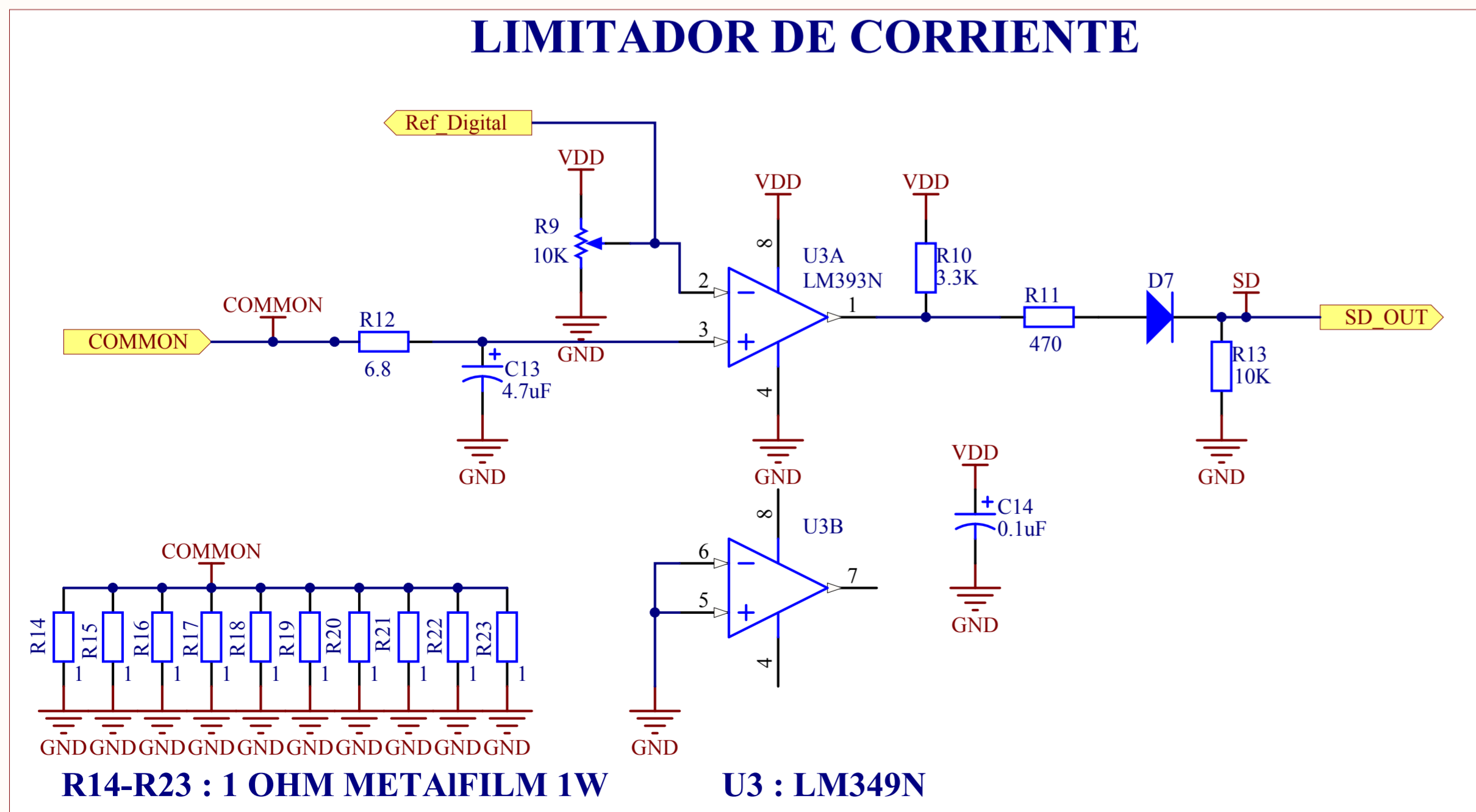


HARDWARE WATCHDOG

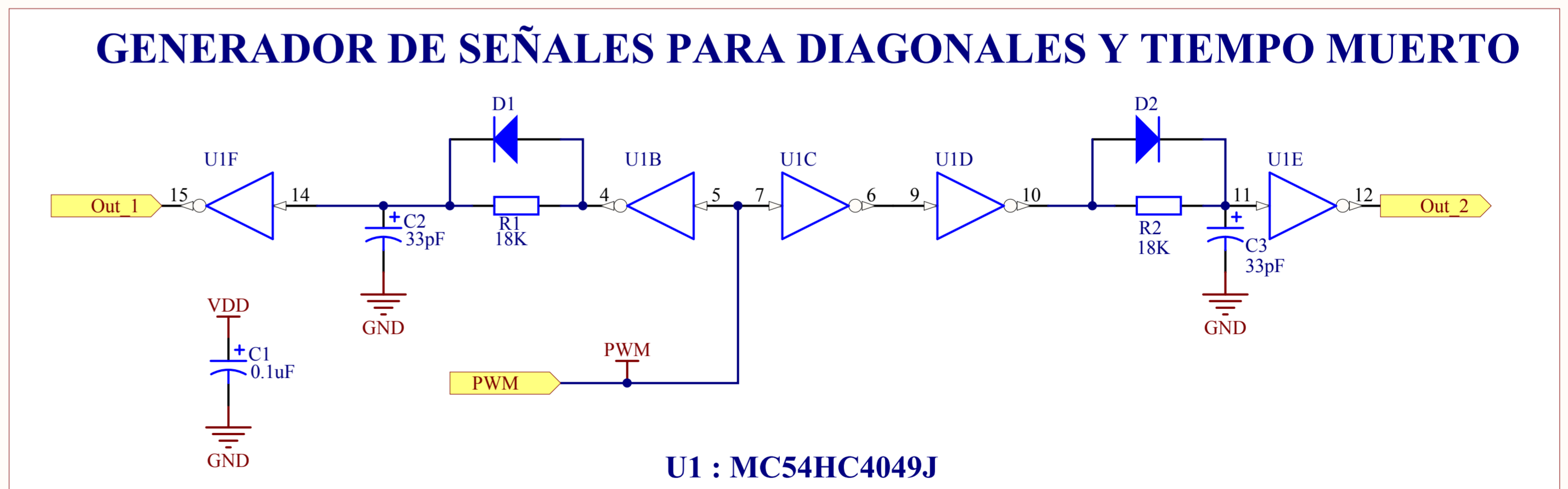


MISCELANEOS

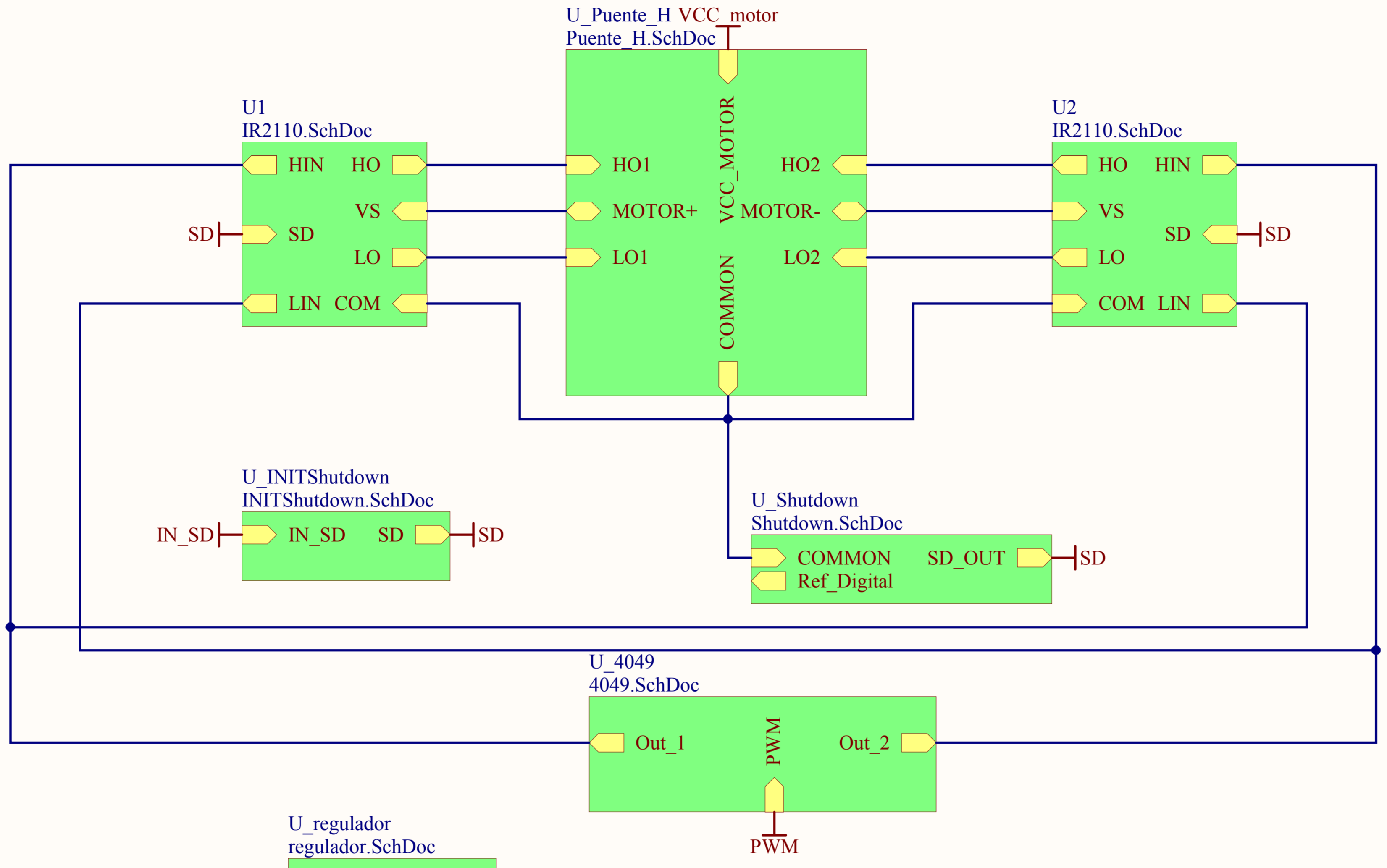
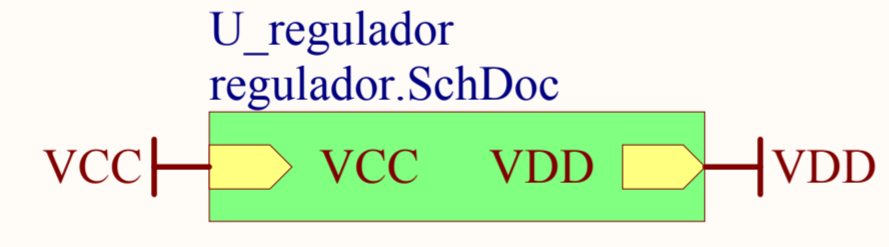
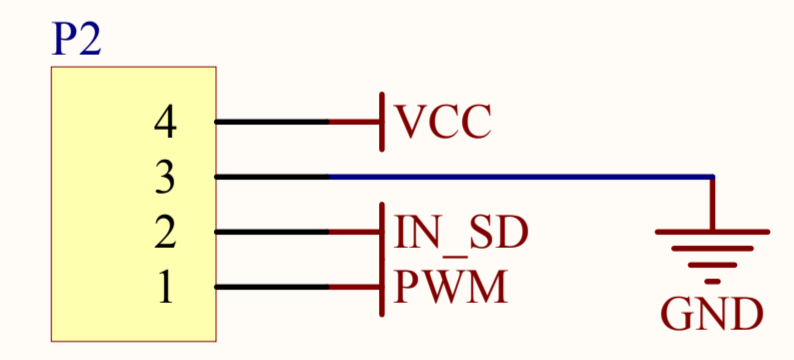
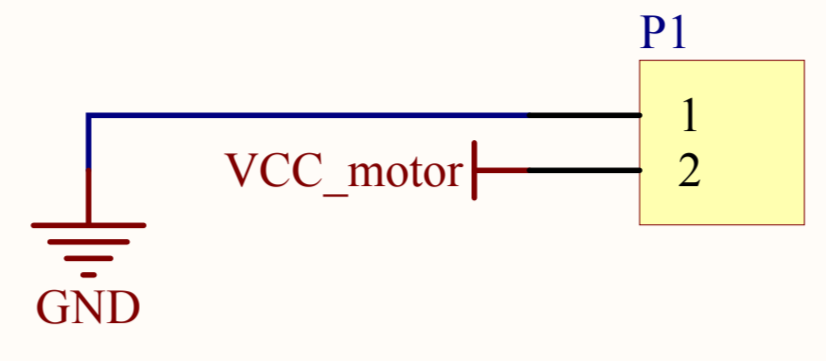
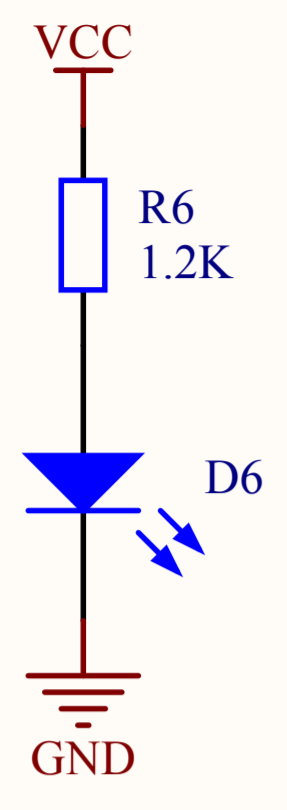
LIMITADOR DE CORRIENTE



GENERADOR DE SEÑALES PARA DIAGONALES Y TIEMPO MUERTO

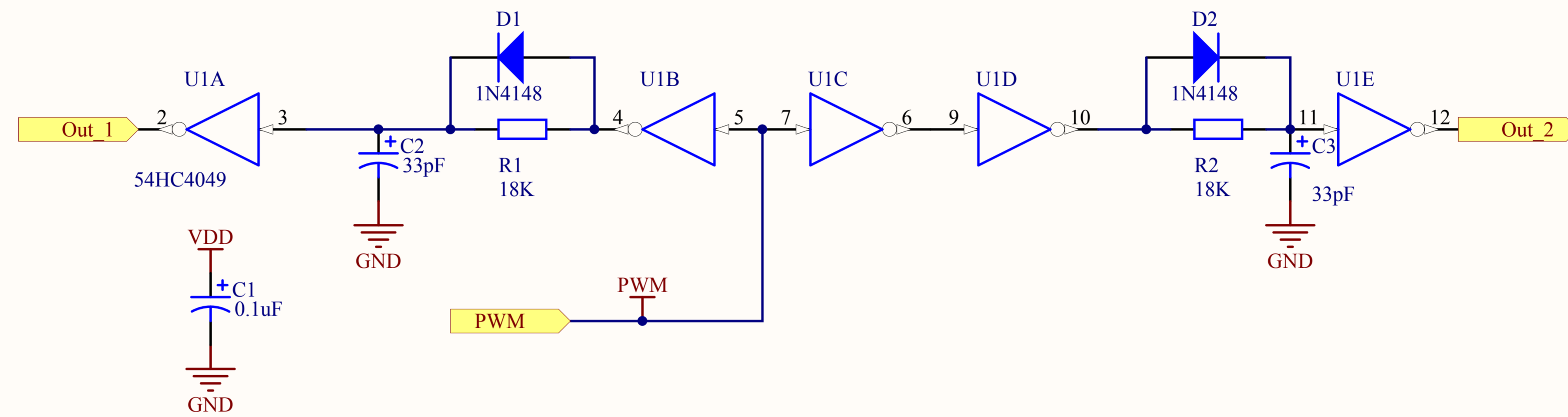


Title		
Size	Number	Revision
A3		
Date:	10/09/2008	Sheet of
File:	D:\diego\...\ESQUEMA_GRAL.SchDoc	Drawn By:



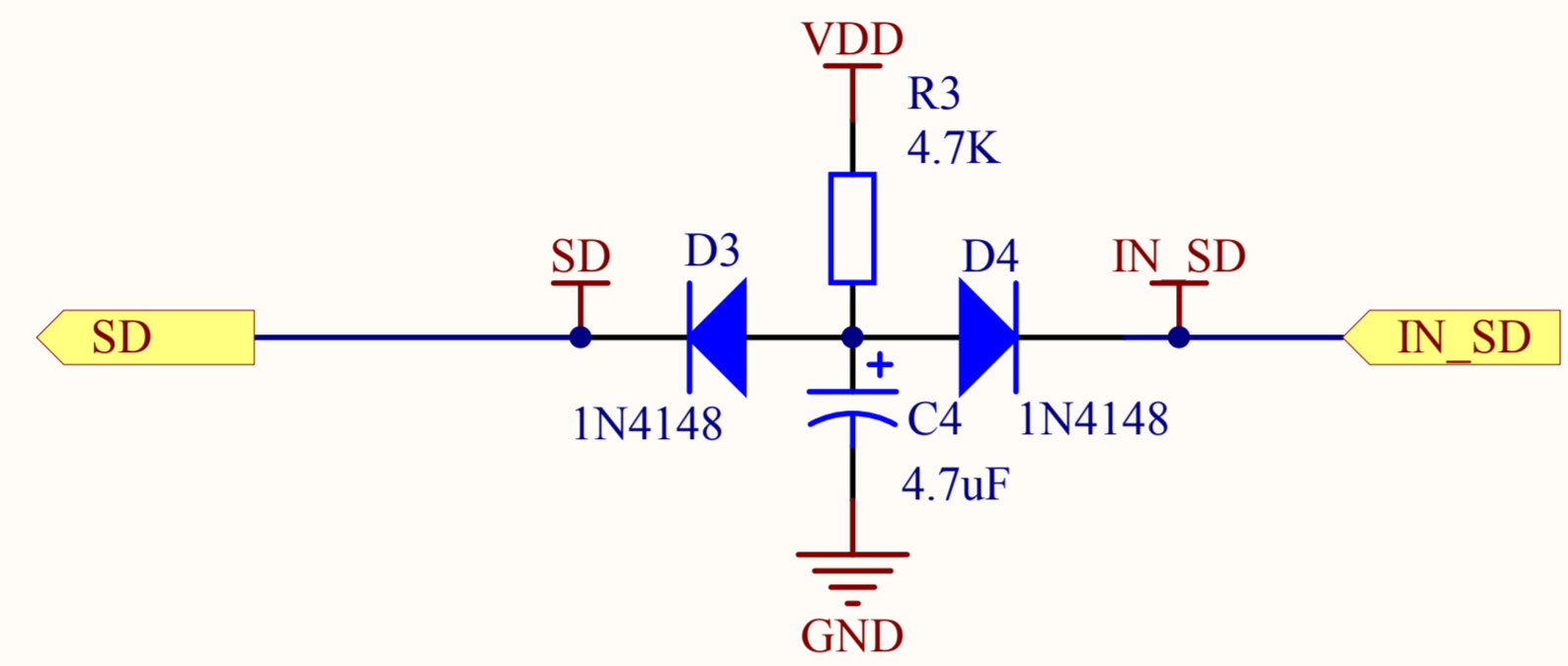
Title		
Size	Number	Revision
A4		
Date:	10/09/2008	Sheet of
File:	D:\diego\...\Llave_H_esquema.SchDoc	Drawn By:

GENERADOR DE SEÑALES PARA DIAGONALES Y TIEMPO MUERTO



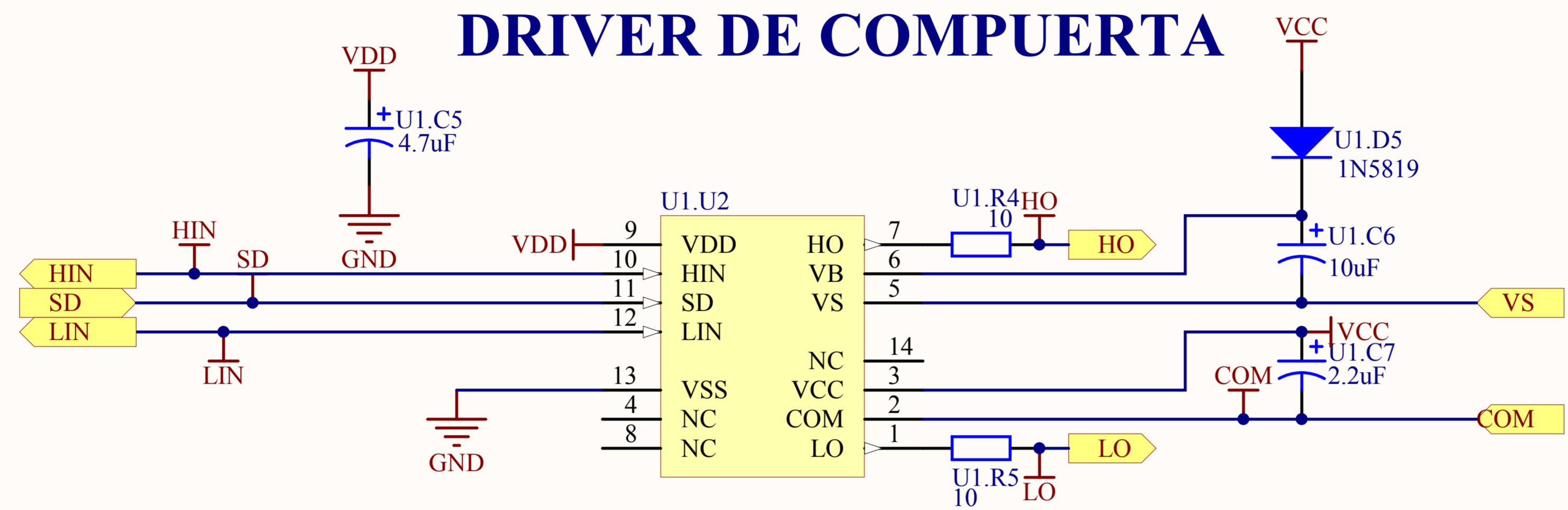
Title		
Size	Number	Revision
A4		
Date:	10/09/2008	Sheet of
File:	D:\diego\Placa Llave H V2\4049.SchDoc	Drawn By:

HARDWARE WATCHDOG



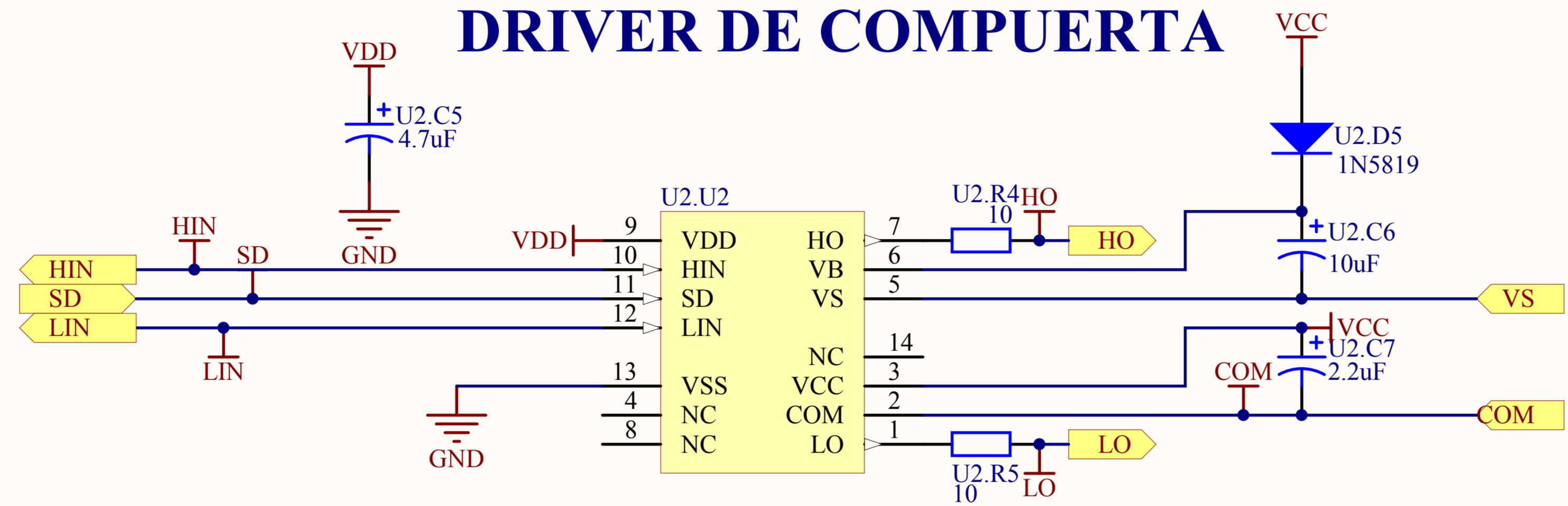
Title		
Size	Number	Revision
A4		
Date:	10/09/2008	Sheet of
File:	D:\diego\..\INITShutdown.SchDoc	Drawn By:

DRIVER DE COMPUERTA



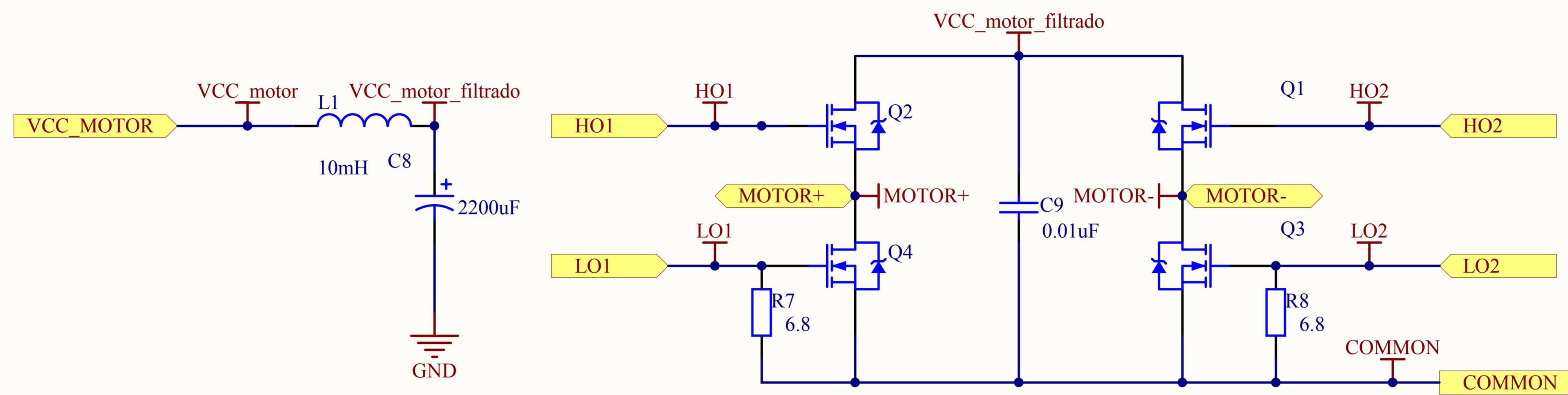
Title		
Size	Number	Revision
A4		
Date:	10/09/2008	Sheet of
File:	D:\diego\Placa Llave H V2\IR2110.SchDoc Drawn By:	

DRIVER DE COMPUERTA

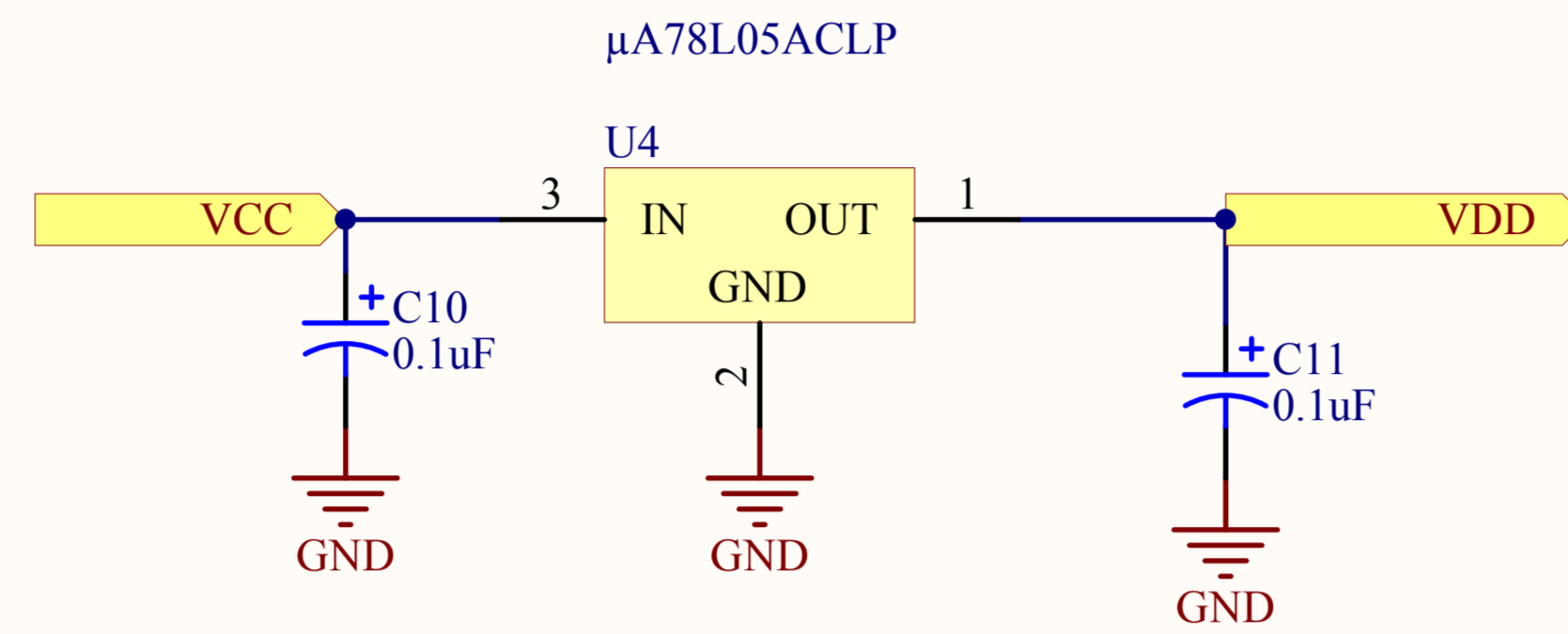


Title		
Size	Number	Revision
A4		
Date:	10/09/2008	Sheet of
File:	D:\diego\Placa Llave H V2\IR2110.SchDoc Drawn By:	

PUENTE H

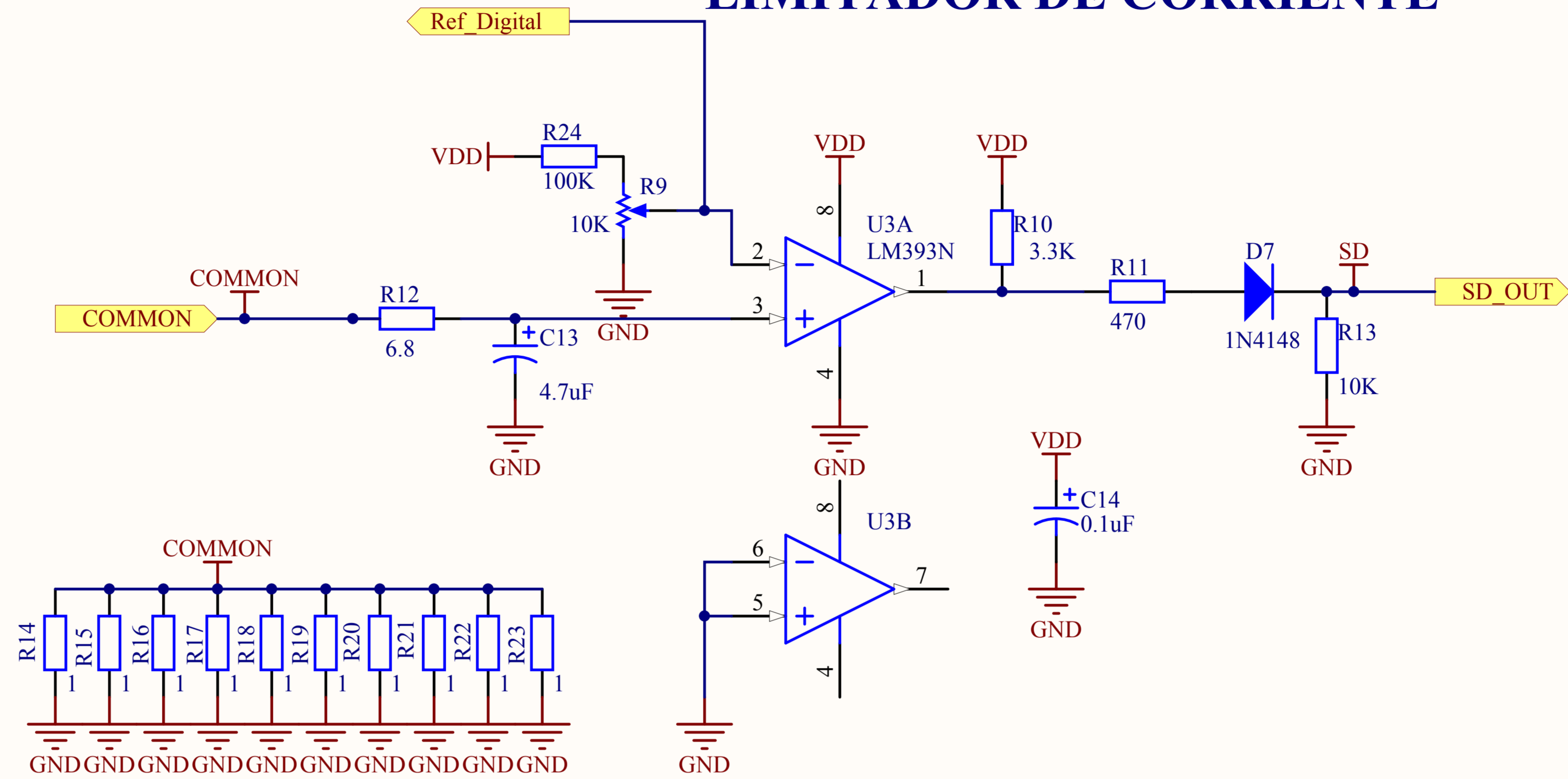


Title		
Size	Number	Revision
A4		
Date:	10/09/2008	Sheet of
File:	D:\diego\...\Puente_H.SchDoc	Drawn By:



Title		
Size	Number	Revision
A4		
Date:	10/09/2008	Sheet of
File:	D:\diego\..\regulador.SchDoc	Drawn By:

LIMITADOR DE CORRIENTE



Title		
Size	Number	Revision
A4		
Date:	10/09/2008	Sheet of
File:	D:\diego\...\Shutdown.SchDoc	Drawn By:

